



Quality  
ISO 9001  
SAI GLOBAL

## SPECIFICATION:

### MATERIALS:

Main construction - Cast aluminium  
Slats - Mild Steel  
Support pipes - Mild Steel

### DIMENSIONS:

mm unless otherwise stated

### FINISH:

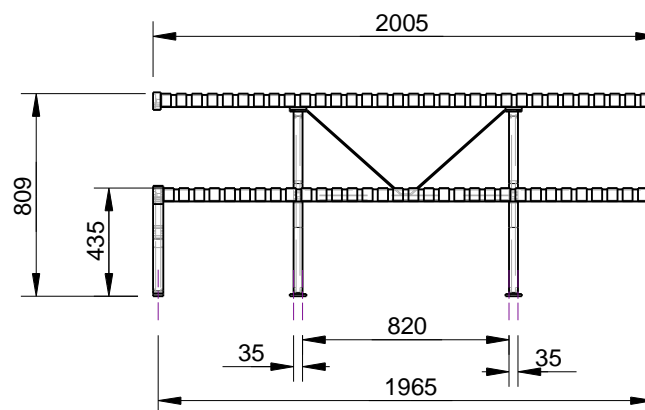
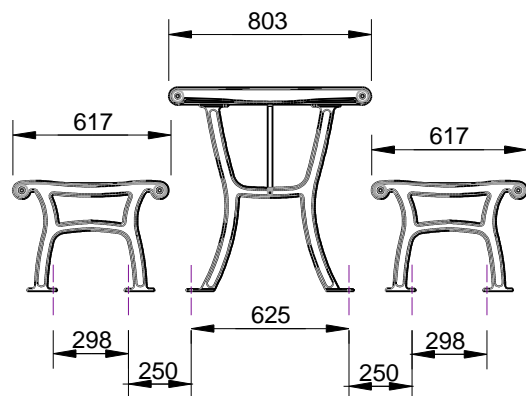
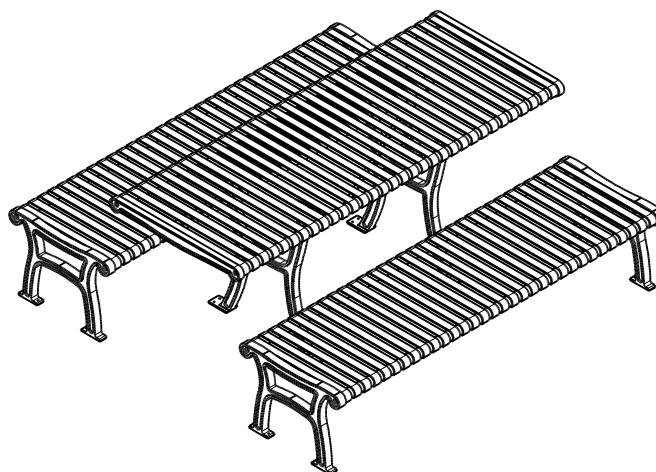
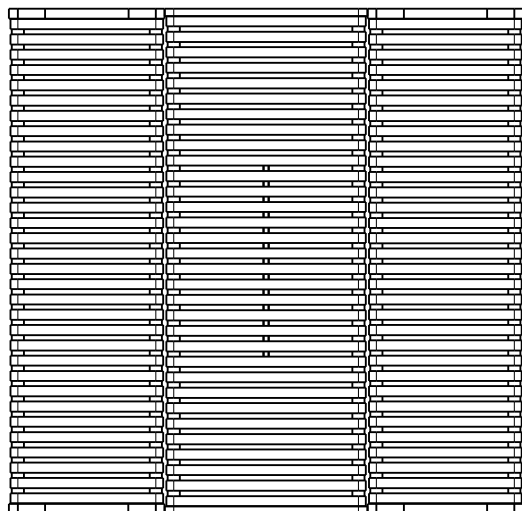
Castings - Milled or Powder coat (optional)  
Slats - Galvanised with optional powder coat

### GROUND FIXINGS:

Bolt down

### WHEEL CHAIR ACCESS:

Both ends



© copyright  
CONFIDENTIAL

REVISION	#	DESCRIPTION	BY	DATE	DRAWN	DRAWN DATE	CHECKED	CHECKED DATE	SCALE	A4
	1	ORIGINAL DRAWING	RBC	9.12.13	R.CRIGTON	9.12.13			N/A	
2										
3										
4										
5										
							STEEL SLATTED COUNCIL SETTING SPEC.			
							FFSA004019	REV. 1	SHEET 1 OF 2	

