



Quality
ISO 9001
SAI GLOBAL

SPECIFICATION:

MATERIAL:

Main construction - 304 Stainless steel
Slats - Hardwood timber
Fixings - Stainless steel

DIMENSIONS:

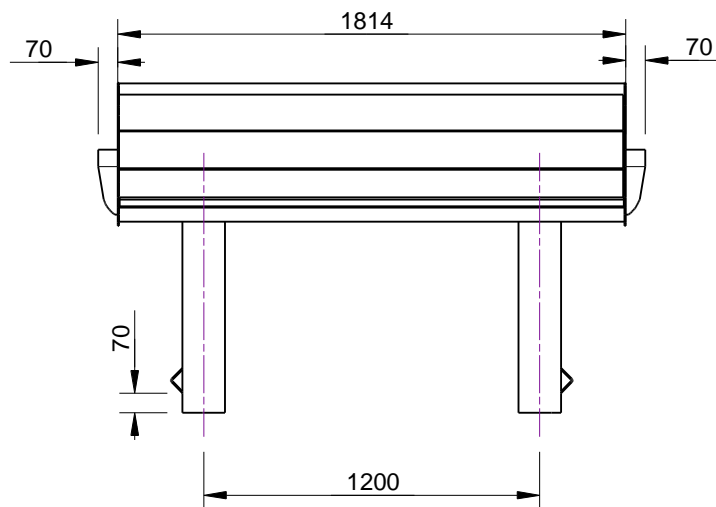
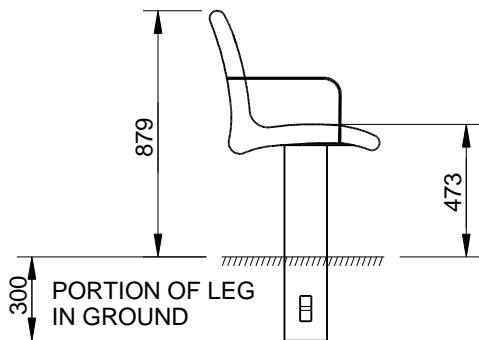
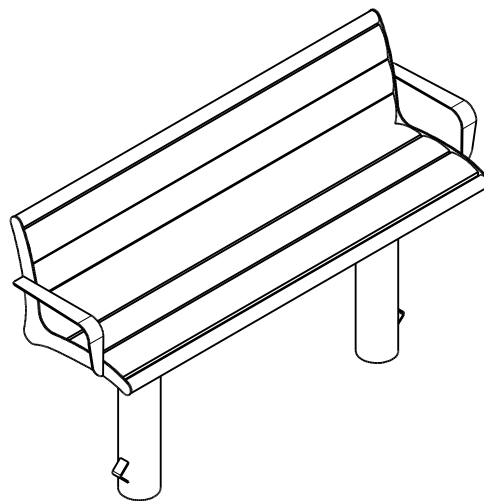
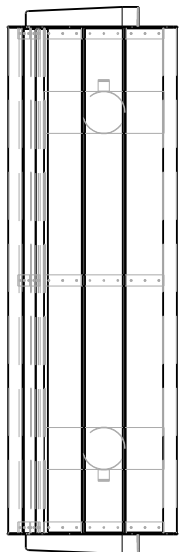
mm unless otherwise stated

FINISH:

Stainless steel components - Polished
Timbers - Oil based

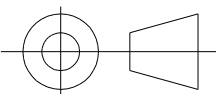
GROUND ATTACHEMENT:

In ground



CONFIDENTIAL

REVISION #	DESCRIPTION	BY	DATE	DRAWN	DRAWN DATE	CHECKED	CHECKED DATE	SCALE	A4
								N/A	
1	ORIGINAL DRAWING	DN	1.10.10	R.CRIGTON	5.2.14				
2	FULL PRODUCT REVIEW	RBC	5.2.14						
3									
4									
5									



LYNDARUM SEAT (ARM RESTS) - IN GROUND SPEC.

FFSC002004

REV. 2

SHEET 1 OF 3