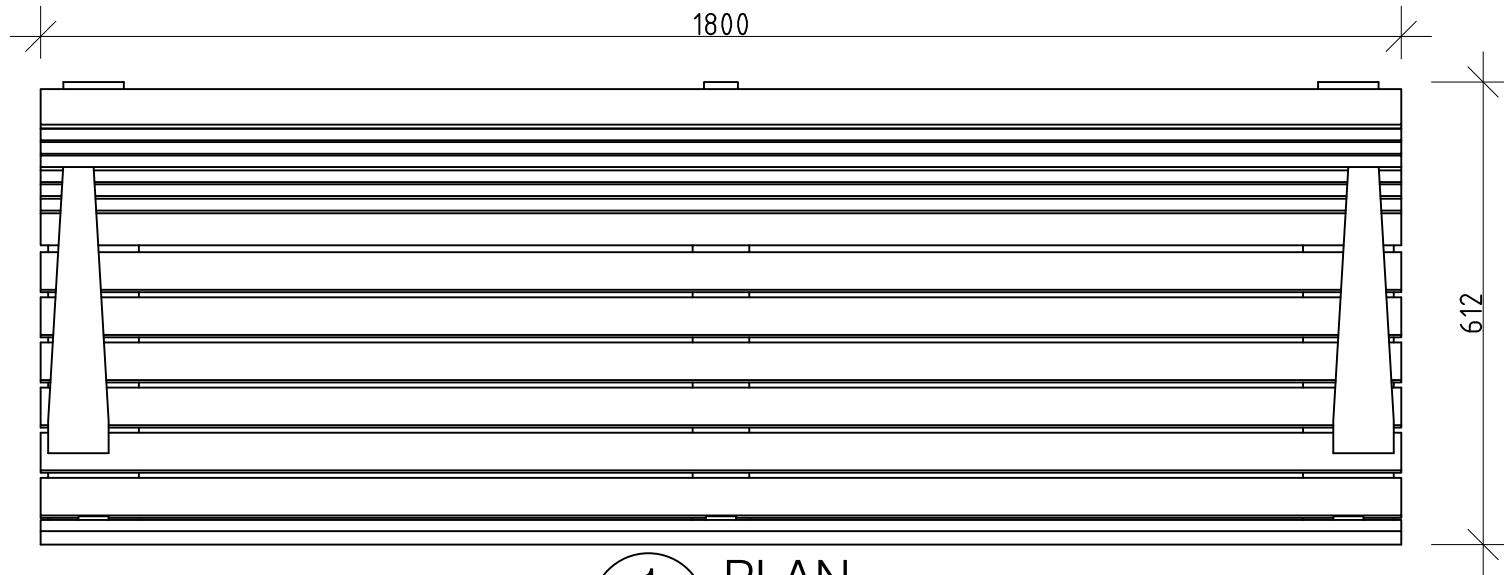


ALL DIMENSIONS IN MILLIMETRES - DO NOT SCALE

PROMENADE SETTING SERIES

FFSA002024 1800mm SEAT - IN GROUND

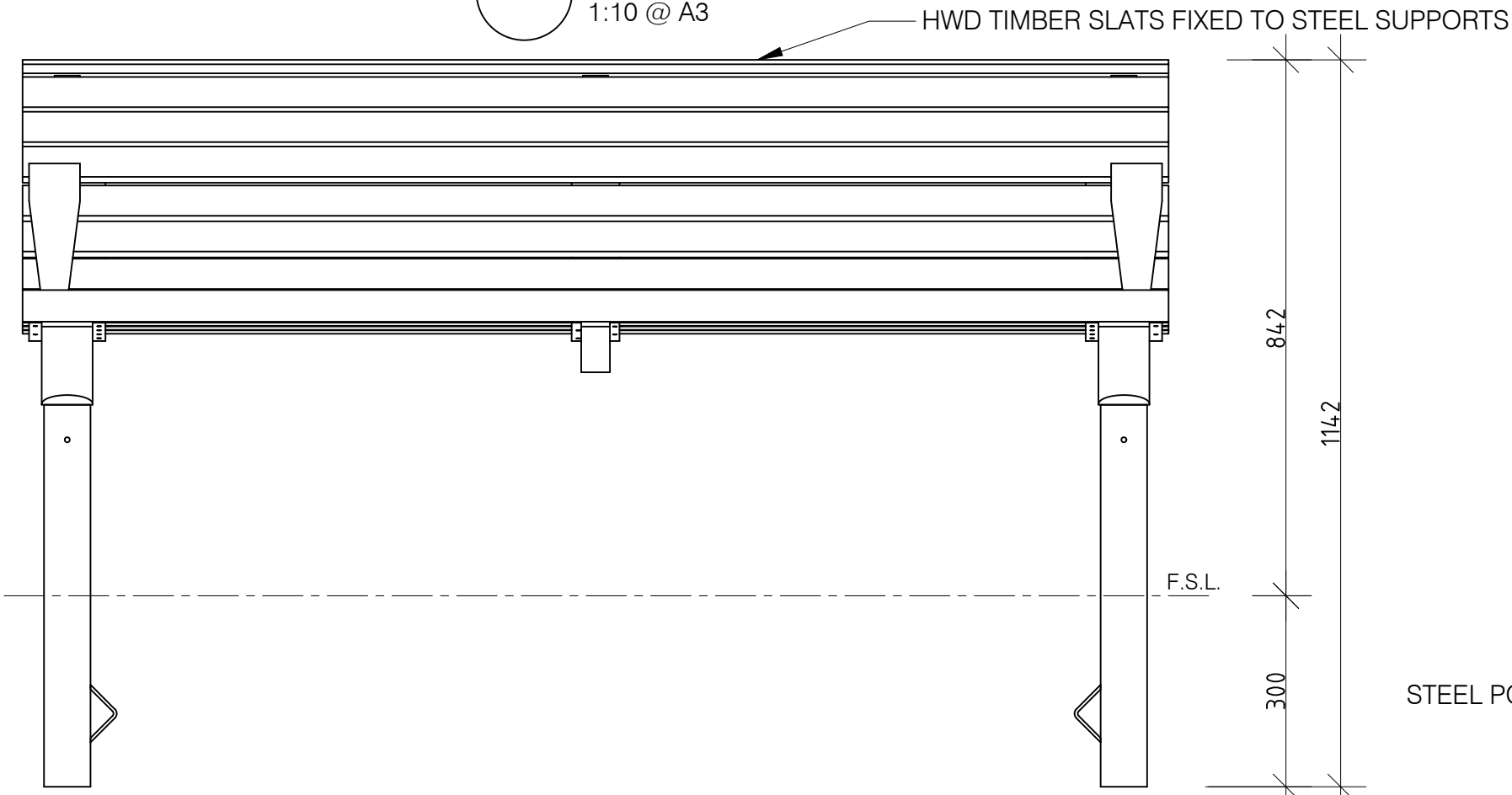


1 PLAN
1:10 @ A3

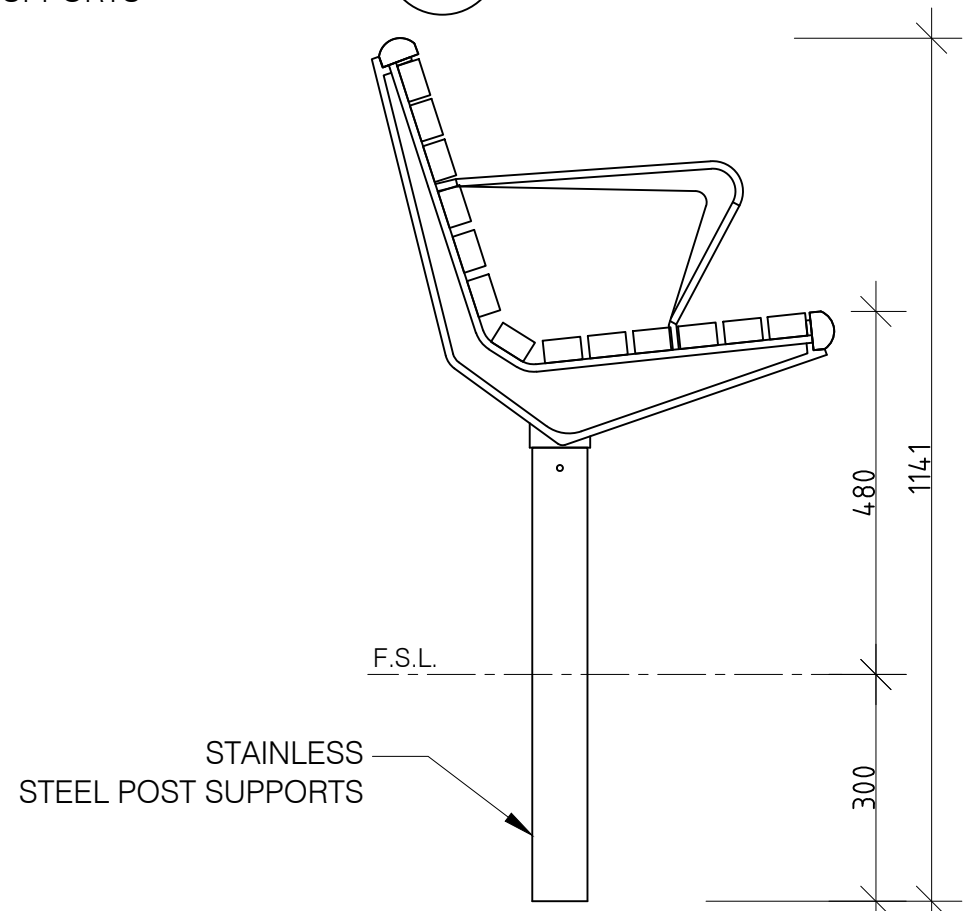


Slats available in:
Hardwood Timber (FFSA002024)
Aluminium (FFSA002024A)

4 PERSPECTIVE
N.T.S.




3 FRONT ELEVATION
1:10 @ A3



2 END ELEVATION
1:10 @ A3

REVISION	DATE:	DRAWN BY:
6		
5		
4		
3		
2		
1		



FURPHY FOUNDRY PTY LTD
 THIS DOCUMENT IS AND SHALL REMAIN THE PROPERTY OF FURPHY FOUNDRY. UNAUTHORISED USE OF THIS DOCUMENT IN ANY FORM IS PROHIBITED.



Furphy Foundry Pty Ltd
 A.B.N. 24 007 195 913
 21 Drummond Rd,
 Shepparton VIC 3630

PH: (03) 5831 2777
 FAX: (03) 5831 2681
 www.furphyfoundry.com.au
 sales@furphyfoundry.com.au

CLIENT NAME FURPHY FOUNDRY	PROJECT No. FFSA002024	PAGE A3
PROJECT PROMENADE SEAT - IN GROUND	DATE: 17-04-19	DRAWN PS
DRAWING TITLE PRELIMINARY	DRAWING No. 030	SCALE NOTED
	SHEET No. 001	REV. 1