



Quality
ISO 9001
SAI GLOBAL

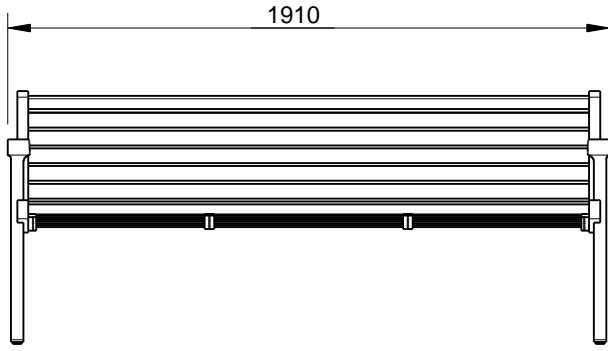
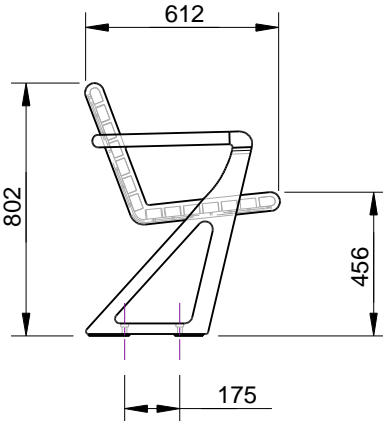
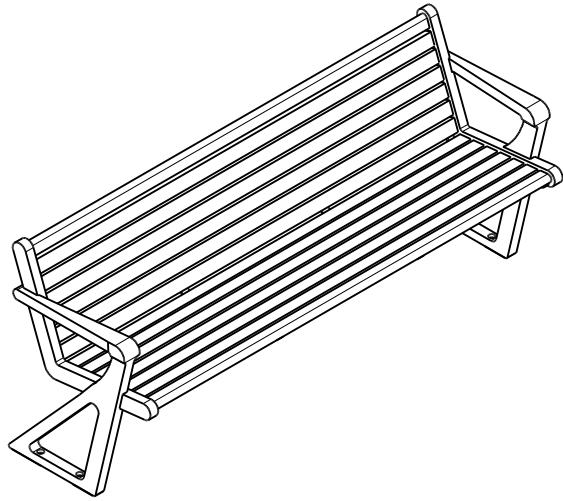
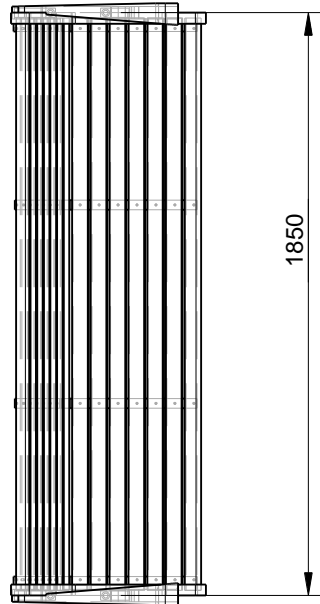
SPECIFICATION:

MATERIALS:
 Bench Ends - Recycled Cast aluminium
 Timbers - Hardwood Timber
 Straps - Grade 304 Stainless steel
 Fixings - Grade 304 Stainless steel

DIMENSIONS:
 mm unless otherwise stated

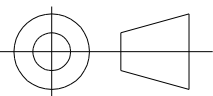
FINISH:
 Castings - Mill Finish or Optional Powder Coat
 Timber - Oil Based

ATTACHMENT:
 Bolt down



CONFIDENTIAL

REVISION #	DESCRIPTION	BY	DATE	DRAWN	DRAWN DATE	CHECKED	CHECKED DATE	SCALE	A4
								N/A	
1	ORIGINAL DRAWING	DN	21.10.10	R.CRIGTON	26.6.14				
2	FULL PRODUCT REVIEW	RBC	26.6.14						
3									
4									
5									



DELTA SEAT SPEC.
 FFSA002002
 REV. 2
 SHEET 1 OF 3