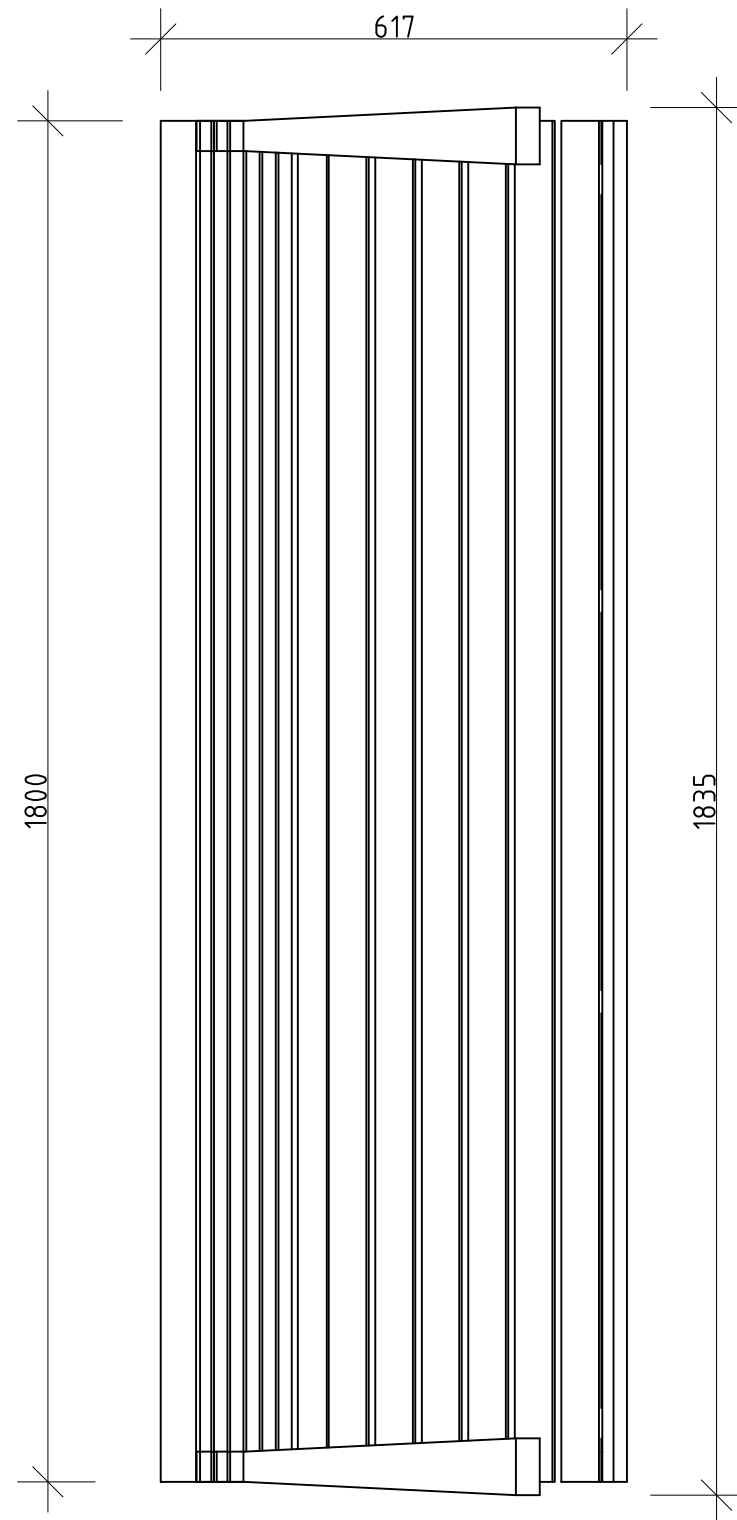


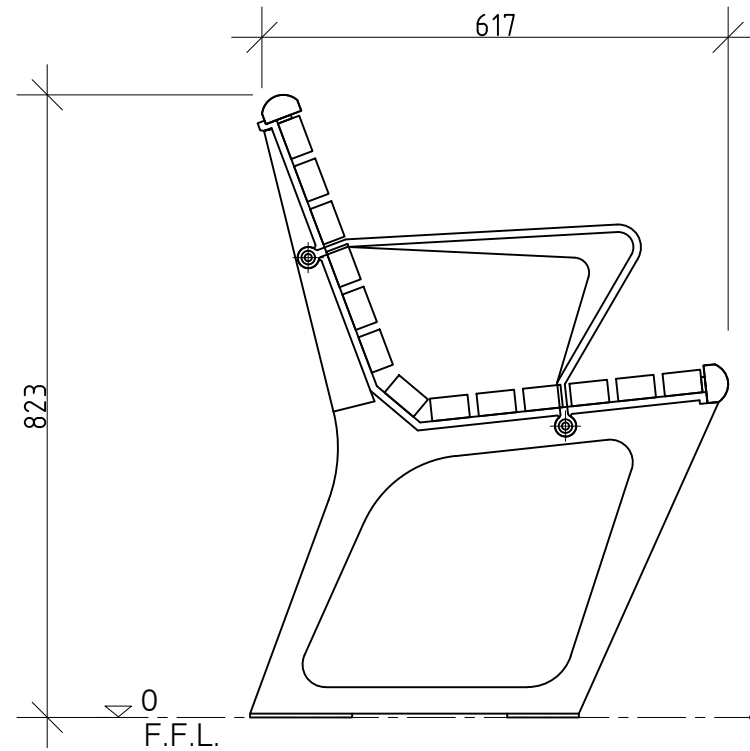
METRO SETTING SERIES

FFSA002001 1800mm BENCH (BOLT DOWN)

ALL DIMENSIONS IN MILLIMETRES - DO NOT SCALE



1 PLAN
1:10 @ A3

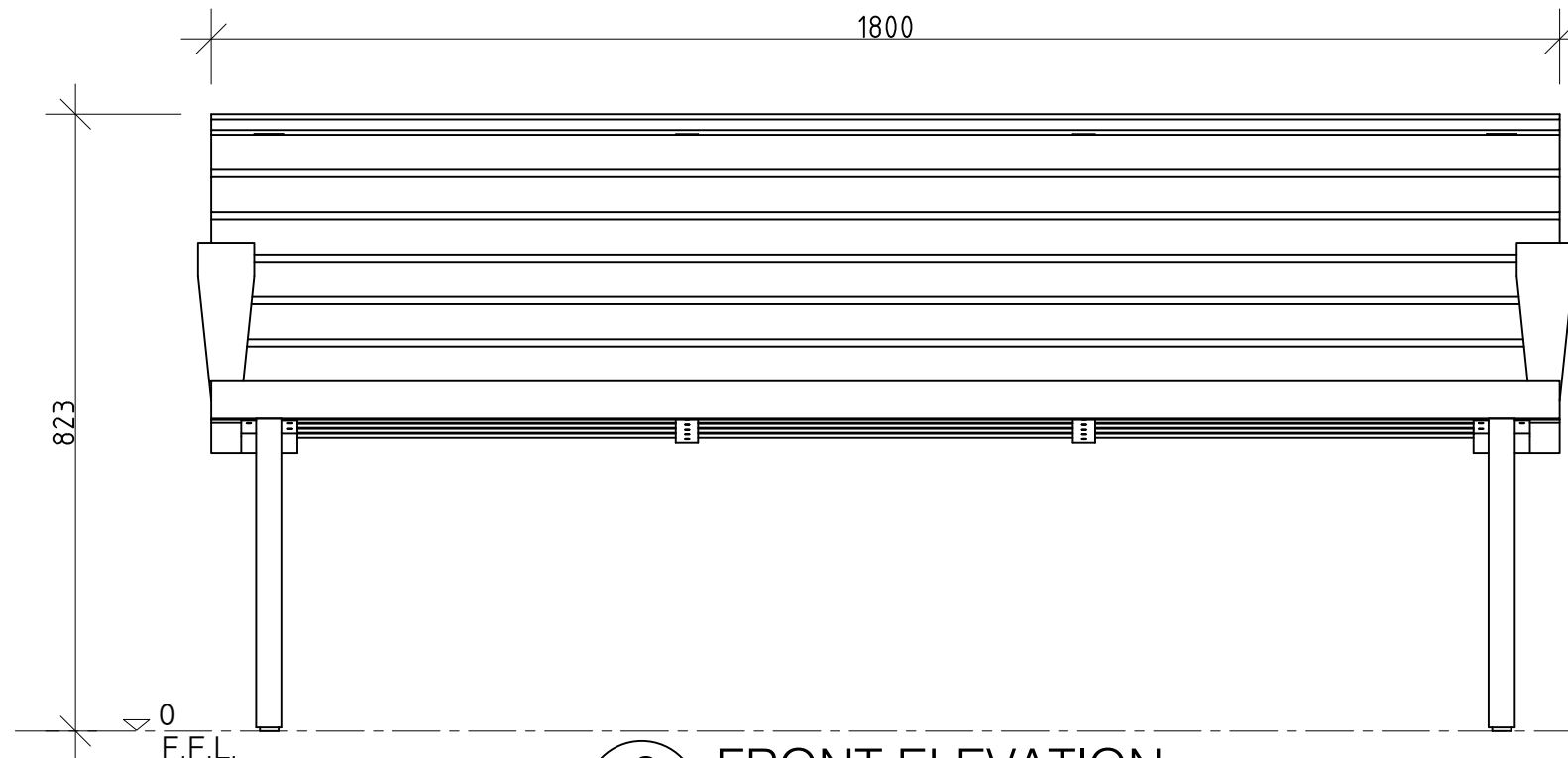


2 END ELEVATION
1:10 @ A3



Slats available in:
Hardwood Timber (FFSA002001)
Aluminium (FFSA002001A)

4 PERSPECTIVE
N.T.S.



3 FRONT ELEVATION
1:10 @ A3

REVISION	DATE:	DRAWN BY:
6		
5		
4		
3		
2		
1		



© FURPHY FOUNDRY PTY LTD
THIS DOCUMENT IS AND SHALL REMAIN THE PROPERTY OF
FURPHY FOUNDRY. UNAUTHORISED USE OF THIS DOCUMENT
IN ANY FORM IS PROHIBITED.



Furphy Foundry Pty Ltd PH: (03) 5831 2777
A.B.N. 24 007 195 913 FAX: (03) 5831 2681
21 Drummond Rd, www.furphyfoundry.com.au
Shepparton VIC 3630 sales@furphyfoundry.com.au

CLIENT NAME	PROJECT	DRAWING TITLE	PROJECT No.	PAGE
FURPHY FOUNDRY	METRO SEAT - BOLT DOWN	PRELIMINARY	FFSA002001	A3
			DATE: 14-03-19	DRAWN PS
			DRAWING No. 020	SCALE NOTED
			SHEET No. 001	REV. 1