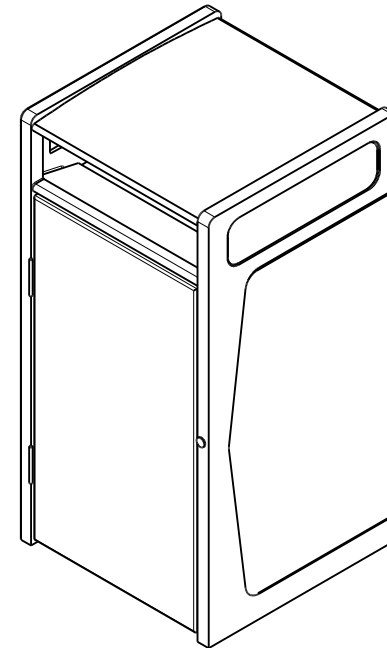


**BOLT DOWN DETAIL**  
 4 OFF Ø15 THRU  
 WITH Ø25x18  
 COUNTERBORE



Quality  
 ISO 9001  
 SAI GLOBAL

**SPECIFICATION:**

**MATERIALS:**

Main construction - Recycled cast aluminium  
 Panels - 304 Stainless steel

**DIMENSIONS:**

mm unless otherwise stated

**FINISH:**

No.4 Polished

**GROUND ATTACHMENTS:**

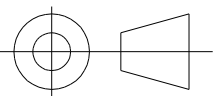
Bolt down with adjustable brass feet



copyright

CONFIDENTIAL

REVISION #	DESCRIPTION	BY	DATE	DRAWN	DRAWN DATE	CHECKED	CHECKED DATE	SCALE	A4
2	FULL PRODUCT REVIEW	RBC	28.3.14						
3									
4									
5									



FULCRUM LITTER RECEPTACLE 120L SPEC.  
 FFSA013007  
 REV. 2  
 SHEET 1 OF 4