



Quality  
ISO 9001  
SAI GLOBAL

## SPECIFICATION:

### Material:

Column & base - Mild steel  
Cap - Recycled Aluminium

### Dimensions:

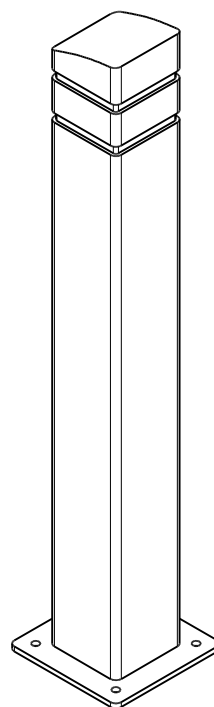
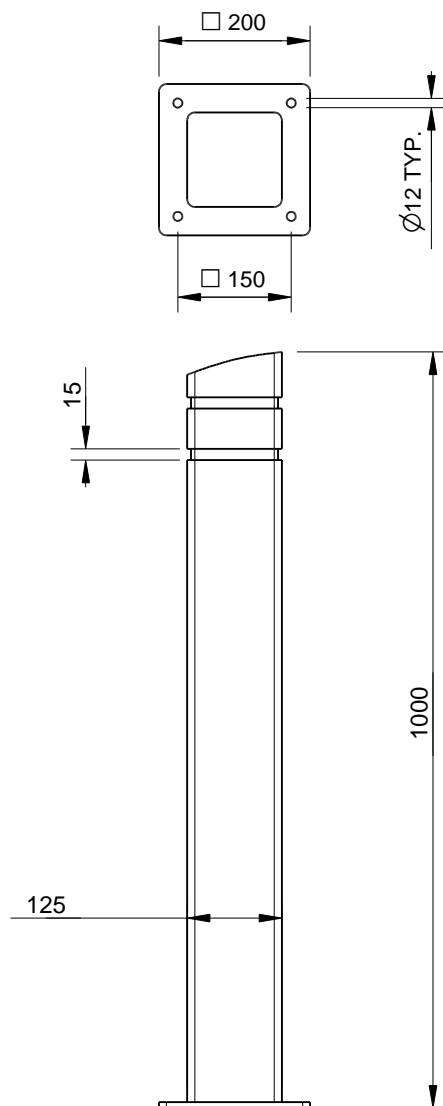
All in mm unless otherwise stated

### Finish:

Steel - Galvanised mild steel & optional powder coat  
Optional alternative coloured paint in recess.

### Ground Fixings:

Bolt down



CONFIDENTIAL

REVISION #	DESCRIPTION	BY	DATE	DRAWN	DRAWN DATE	CHECKED	CHECKED DATE	SCALE		
								A4		
1	ORIGINAL DRAWING	SJ	3.1.11	R.CRIGTON	7.1.14			N/A		
2	FULL PRODUCT REVIEW	RBC	7.1.14					TRAVERSE BOLLARD - BOLT DOWN SPEC.		
3										
4										
5										
							FFSB008033		REV. 2	SHEET 1 OF 2