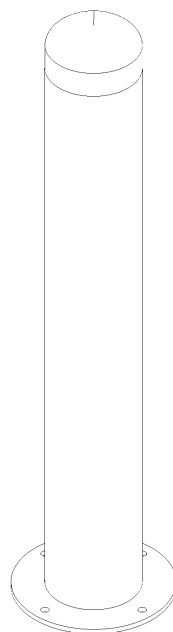
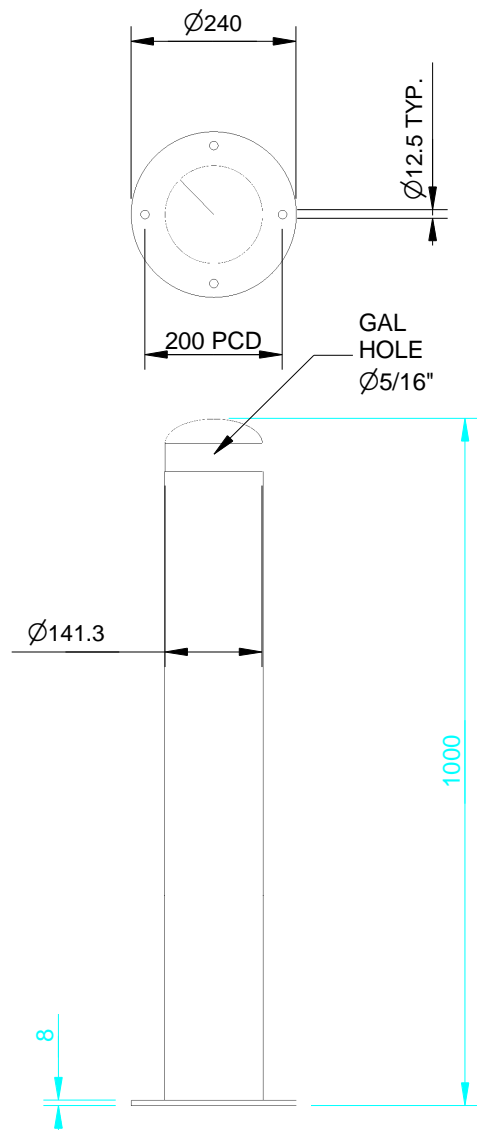




Quality
ISO 9001
SAI GLOBAL



SPECIFICATION:

Material:
Mild steel

Dimensions:
All in mm unless otherwise stated

Finish:
Steel - Galvanised mild steel & optional powder coat

Ground Fixings:
Bolt down



CONFIDENTIAL

REVISION #	DESCRIPTION	BY	DATE	DRAWN	DRAWN DATE	CHECKED	CHECKED DATE	SCALE
								A4
1	ORIGINAL DRAWING	SJ	2.1.11	R.CRIGTON	19.12.13			N/A
2	FULL PRODUCT REVIEW	RBC	19.12.13					
3								
4								
5								
						DOMETOP BOLLARD (140mm) - BOLT DOWN SPEC.		
						FFSB008016	REV. 2	SHEET 1 OF 2

